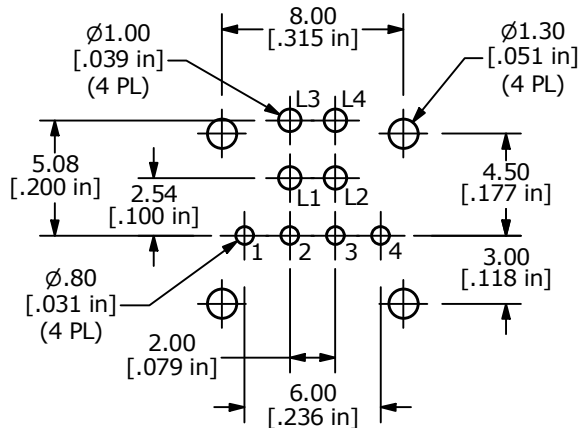
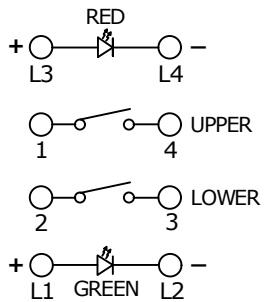


LED SPECS	UNITS	RED	GREEN
FORWARD CURRENT	mA	20	20
FORWARD VOLTAGE	V	1.95 TYP - 2.5 MAX	2.1 TYP - 2.5 MAX
LUMINOUS INTENSITY	mcd	4000 TYP	300 TYP

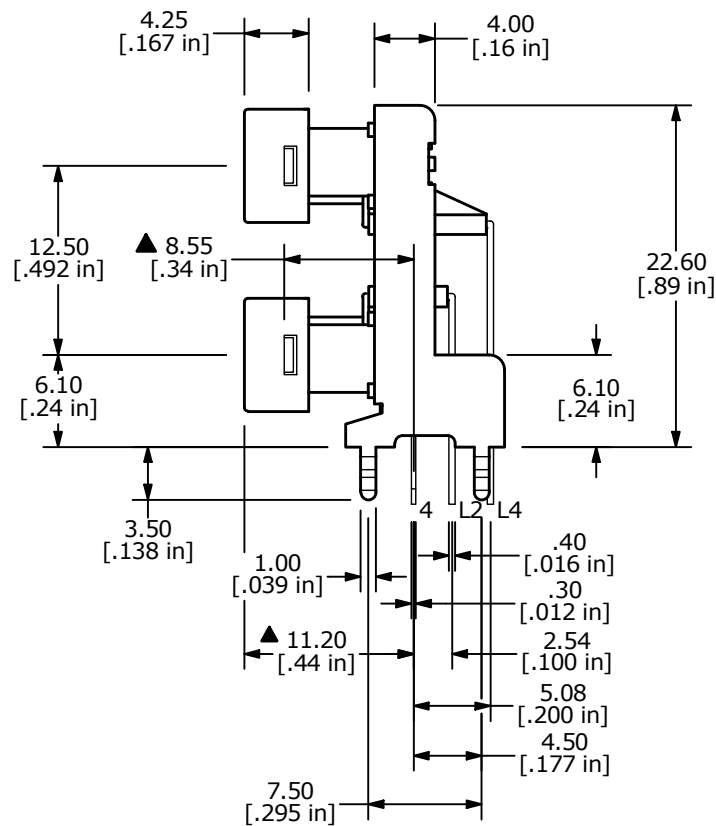
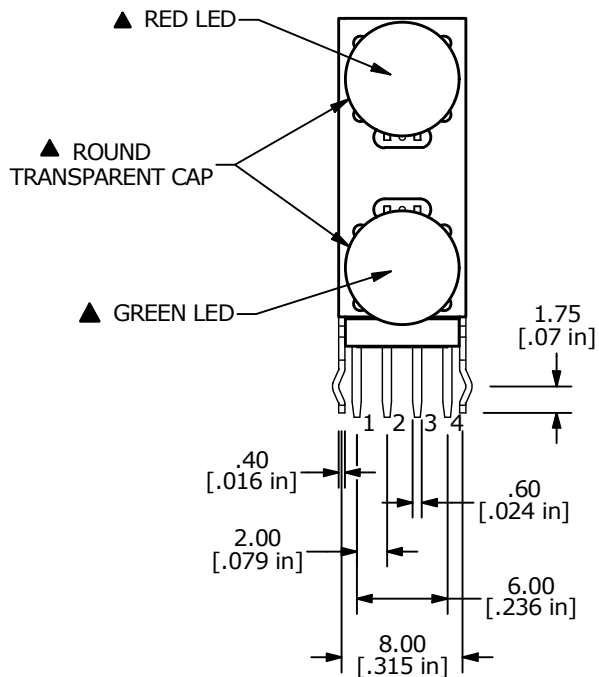
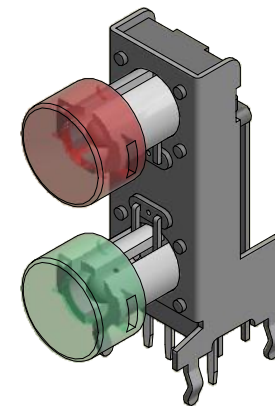
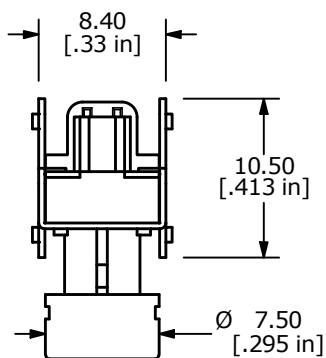


RECOMMENDED PCB LAYOUT



CIRCUIT DIAGRAM

- NOTES:
- ALL DIMENSIONS IN MM
 - GENERAL TOLERANCE: X.X = ±0.4
X.XX = ±0.25
 - TERM. NUMBERS FOR REFERENCE ONLY.
 - CONTACT RATING: 50mA @12VDC
 - TRAVEL: 0.25 ±0.1mm
 - CONTACT RESISTANCE: 100 Milli-Ohms Max.
 - OPERATING FORCE: 160 ±50gf
 - CONTACT MATERIAL: SILVER
 - MECHANICAL LIFE: 500,000 CYCLES
 - OPERATING TEMP: -40°C to 85°C
 - ▲ DENOTES CRITICAL PARAMETER.
 - PACKAGE: TRAY/ 84 PIECES PER



A	24368	RELEASE FOR PRODUCTION	7/2/20	MW
REV	PCR NO	DESCRIPTION	DATE	BY

TITLE TL3253BRBBGBF160Q				
SCALE	DATE	DR	DWG	REV
2:1	7/1/2020	MW	B060021	A

THE INFORMATION CONTAINED IN THIS DOCUMENT IS PROPRIETARY TO E-SWITCH AND IS NOT TO BE COPIED OR TRANSFERRED